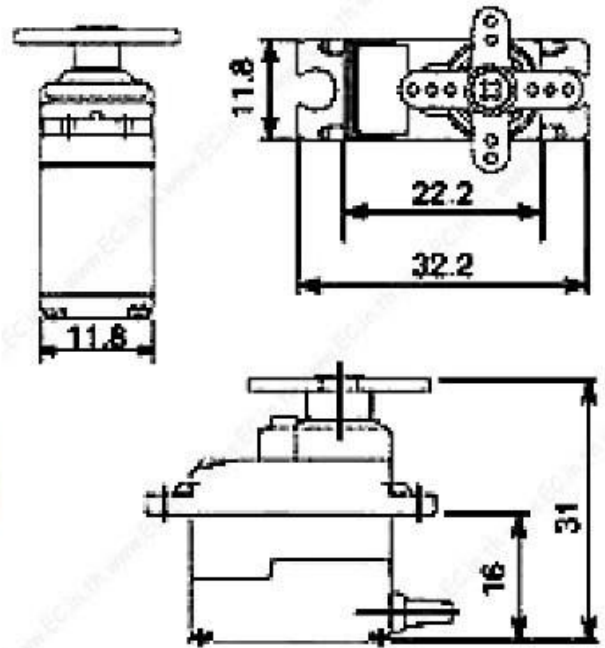


SG90 9 g Micro Servo

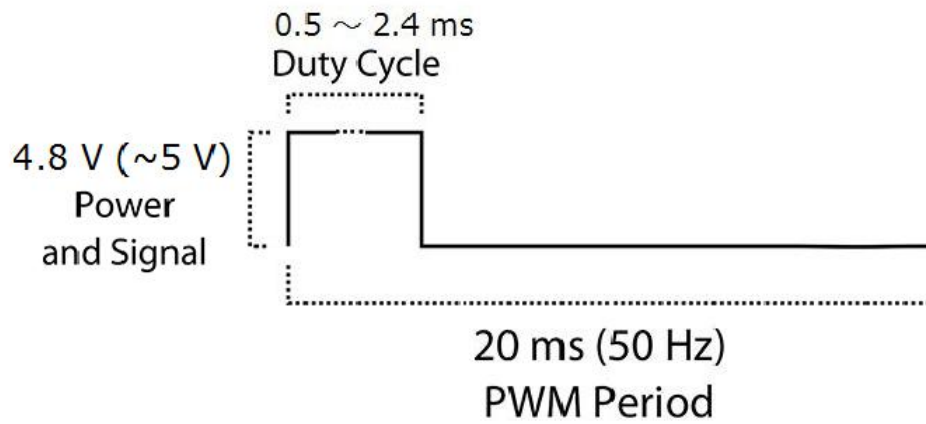


Tiny and lightweight with high output power. Servo can rotate approximately 180 degrees (90 in each direction), and works just like the standard kinds but *smaller*. You can use any servo code, hardware or library to control these servos. Good for beginners who want to make stuff move without building a motor controller with feedback & gear box, especially since it will fit in small places. It comes with a 3 horns (arms) and hardware.

Specifications

- Weight: 9 g
- Dimension: 22.2 x 11.8 x 31 mm approx.
- Stall torque: 1.8 kgf·cm
- Operating speed: 0.12 s/60 degree
- Operating voltage: 3.3 V (~6V)
- Dead band width: 1 μ s
- Temperature range: 0 °C – 55 °C

PWM=Orange (\square)
Vcc = Red (+)
Ground=Brown (-)



Position "0" (1.45 ms pulse) is middle, "90" (~2.4 ms pulse) is all the way to the right,
"-90" (~ 0.5 ms pulse) is all the way left.